



19" Open Rack - Heavy Duty

Heavy Duty



KDO

JDO

2-POST / 4-POST heavy-duty open rack.

Features

- Lshaped rail, universal square holes pattern
- Vertical-rack structure accommodated industry standard 19" panel width
- Plenty of accessories are available (such as cable management slot, hanging panel, draw panel, etc.)
- Knock down design, easy to assemble and disassemble or delivery
- Static loading: 300 kgs

Surface Finish

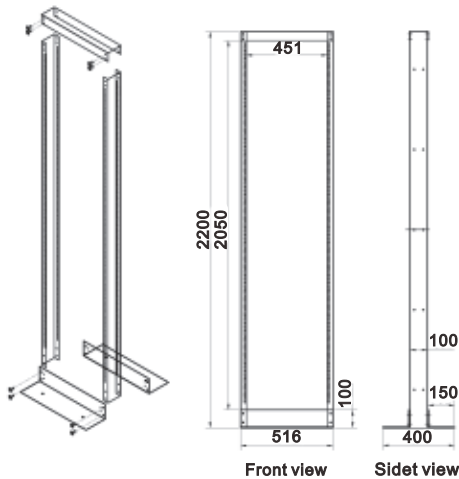
Standard: Complies with ANSI/EIA RS-310-C, D,E,F rack mounting standards

Smaterial: SPCC cold rolled steel

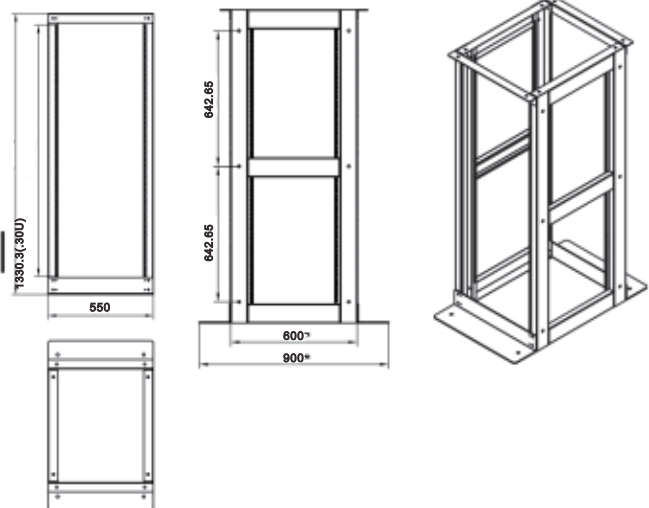
Surface Finish: Degreasing, pickling, phosphoric, powder coating

Model No	Capacity(U)	Width(mm)	Depth(mm)
KDO5415	15	516	400
KDO5430	30	516	400
KDO5435	35	516	400
KDO5441	41	516	400
KDO5445	45	516	400

Model No	Capacity(U)	Width(mm)	Depth(mm)
JDO5630	30	550	600
JDO5641	41	550	600
JDO5642	42	550	600
JDO5645	45	550	600



KDO



JDO

