



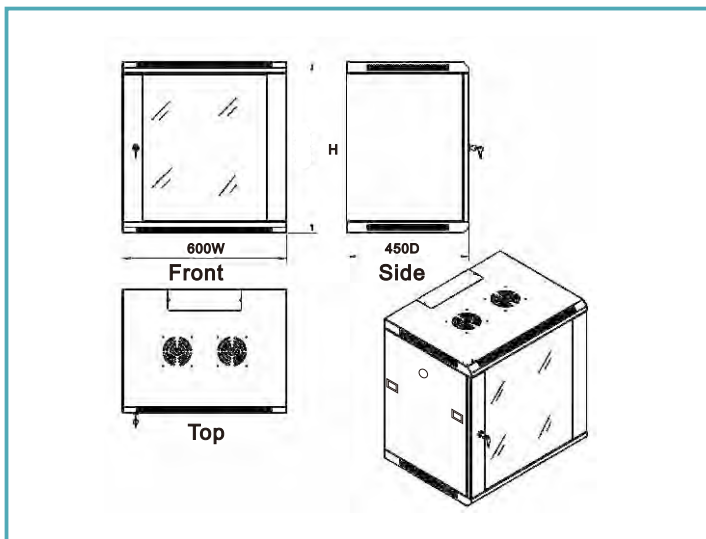
JAW Series Wall Mount Cabinet

Single Section



Specification

- Comply with ANSI/EIA, RS-310-D; IEC297-2; DIN41491: PART1; DIN41491: PART7; GB/T3047 2-92 standard , compatible with 19" international standard, metric system and ETSI standard
- Standard 19" installation
- Mounts directly to building walls
- Static load 60 kgs
- Wire channels and air holes on top and bottom
- Removable side panels (side-panel lock optional)
- Flat pack & welding type are available



Surface Finish

Degreasing, pickling, phosphoric, cleaning, powder coating

Material and Thicknrss

SPCC cold rolled steel
Mounting profile: 1.50mm
Others: 1.20mm

Model No	Capacity(U)	Width(mm)	Depth(mm)	Assemble Package Size
JAW6406	6U	600	450	680*530*435
JAW6409	9U			680*530*570
JAW6412	12U			680*530*720
JAW6415	15U			680*530*845
JAW6418	18U			680*530*980
JAW6606	6U	600	600	680*680*435
JAW6609	9U			680*680*570
JAW6612	12U			680*680*720
JAW6615	15U			680*680*845
JAW6618	18U			680*680*980